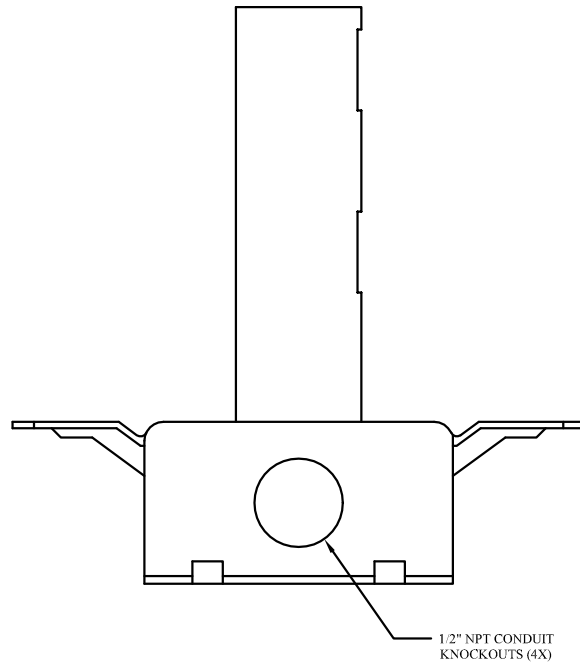
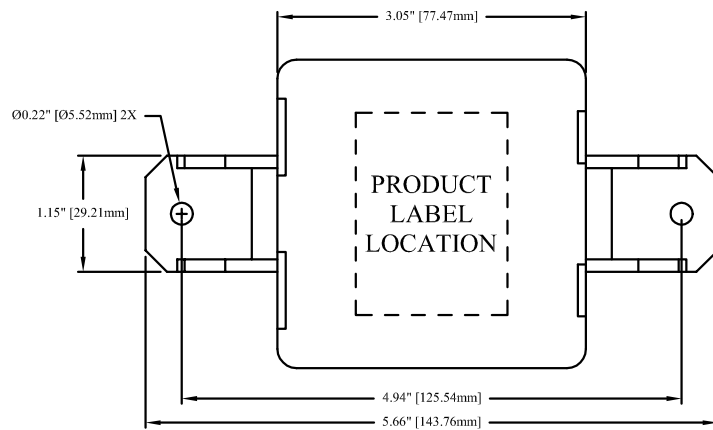


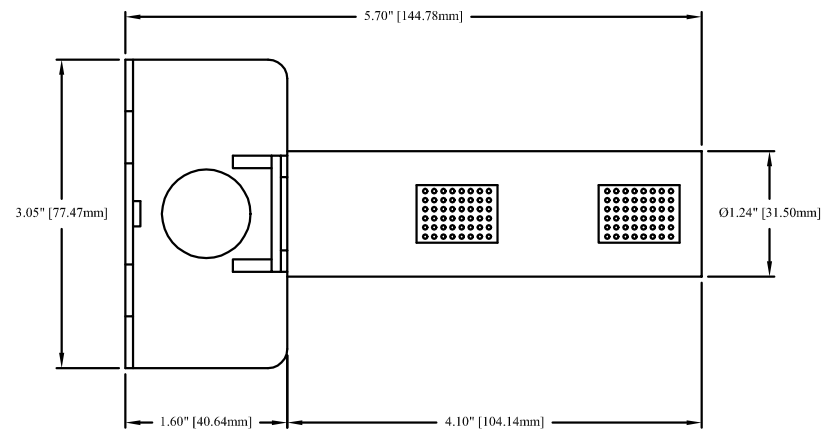
End View:



Top View:



Right Side View:



<p>TOLERANCE: (UNLESS NOTED)</p> <p>3 PLACE DECIMAL = ±0.010</p> <p>2 PLACE DECIMAL = ±0.130</p> <p>1 PLACE DECIMAL = ±0.300</p> <p>ALL DIMENSIONS IN INCHES.</p> <p>DRAWING NOT TO SCALE.</p>		<p>WARNING!</p> <p>CONFIDENTIAL INFORMATION--</p> <p>PROPERTY OF ACI.</p> <p>UNAUTHORIZED USE STRICTLY FORBIDDEN.</p>				<p>DRAWING NUMBER</p> <p>M0000122</p>	
DATE	DESCRIPTION	DRAWN BY	APPROVED BY			DRAWING NUMBER	REV
4-15-08	A/CO2-010-D (CARBON DIOXIDE, 0-10 VDC, DUCT)	DJK	TJD	M0000122	1		